

# Stands

Comparison measuring instruments which ensure high quality, high accuracy and reliability.

## SERIES 7 — Magnetic Stands

- Mitutoyo's Magnetic Stands accept all dial indicators and dial test indicators (with stem  $\varnothing 6$  or  $\varnothing 8$ ) and clamp to iron or steel surfaces with a strong magnetic force.
- **7014, 7031, 7032** and **7033B** have a dovetail groove.



7010-10



7011-10



7012-10



7014

(without ON/OFF switching of magnetic clamping)



7033B

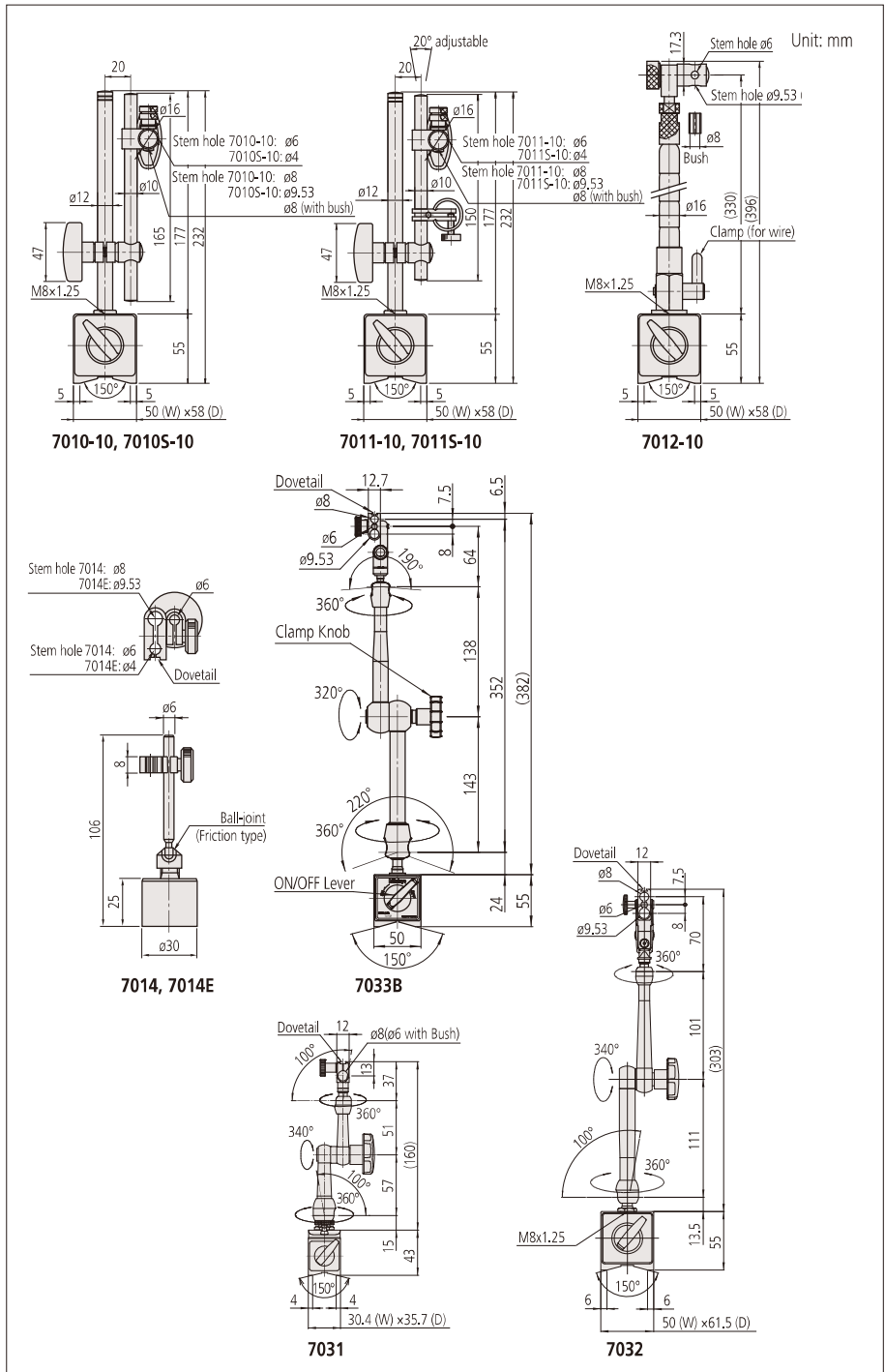


7031



7032

## DIMENSIONS



## SPECIFICATIONS

Order No.	Description	Applicable holding stem dia.	Dovetail groove	Remarks
7010-10	Magnetic stand	$\phi 6$ mm, $\phi 8$ mm	—	—
7010S-10	Magnetic stand	$\phi 4$ mm, $\phi 8$ mm, $\phi 9.53$ mm (3/8")	—	—
7011-10	Magnetic stand	$\phi 6$ mm, $\phi 8$ mm	—	With fine adjustment
7011S-10	Magnetic stand	$\phi 4$ mm, $\phi 8$ mm, $\phi 9.53$ mm (3/8")	—	With fine adjustment
7012-10	Magnetic stand	$\phi 6$ mm, $\phi 8$ mm, $\phi 9.53$ mm (3/8")	—	—
7014	Mini magnetic stand	$\phi 6$ mm, $\phi 8$ mm	Provided	Without magnet ON/OFF
7014E	Mini magnetic stand	$\phi 4$ mm, $\phi 9.53$ mm (3/8")	Provided	Without magnet ON/OFF
7033B	Universal magnetic stand	$\phi 6$ , $\phi 8$ mm, $\phi 9.53$ mm (3/8")	Provided	With mechanical locking system
7031	Universal magnetic stand	$\phi 6$ , $\phi 8$ mm	Provided	With mechanical locking system
7032	Universal magnetic stand	$\phi 6$ , $\phi 8$ mm, $\phi 9.53$ mm (3/8")	Provided	With mechanical locking system