



# Outside Micrometers

**SERIES 340, 104 — with Interchangeable Anvils, Inch model**

## FEATURES

- IP65 water/dust protection (Series 340\*).  
\*Models with a range up to 12" / 300mm.
- Wide measuring range with interchangeable anvils.
- With a ratchet stop for constant force.
- Supplied with zero-setting standards bar for each range.
- With SPC output (Series 340).
- Supplied in fitted wooden case.

## Technical Data

Accuracy:  $\pm[.00016" + .00004 (L/3)"]$  L = Max Range (Inch)  
 Resolution\*: .0001"/0.001mm  
 (340-351-30: .00005"/0.001mm)  
 Graduation\*\*: .001" (104-165: is .0001")  
 Flatness: .000024" for models up to 12"  
 .00004" for models over 12"  
 Parallelism: .00008" for models up to 3"  
 .00012" for models up to 6"  
 $\pm[.00008" + .00004 (L/4)"]$  L = Max range (inch)  
 Measuring faces: Carbide tipped (spindle only)  
 Display\*: LCD  
 Battery\*: SR44 (1 pc.), 938882  
 Battery life\*: Approx. 2.4 years (1.8 years for models over 300mm) years under normal use  
 Dust/Water protection level\*: IP65 (up to 12" / 300mm)  
 \*Digital models \*\*Analog models

## Function of Digital Model

Zero / ABS, Data hold, Preset, Data output, inch/mm conversion (on inch/metric models only)  
 Function Lock, 2 Presets  
 Alarm: Low voltage, Counting value composition error

## Optional Accessories for Digital Model

- 05CZA662:** SPC cable with data switch (40" / 1m)
  - 05CZA663:** SPC cable with data switch (80" / 2m)
  - 959149:** SPC cable Straight type (40"/1m)\*
  - 959150:** SPC cable Straight type (80"/2m)\*
  - 04AZB512:** SPC cable L-type (40"/1m)\*
  - 04AZB513:** SPC cable L-type (80"/2m)\*
- \* models over 300mm



340-352-30

## SPECIFICATIONS

**Inch/Metric** Digital model

Range	Resolution	Order No.	Mass (kg)	Remarks
0-6" / 0-152.4mm	.00005" / 0.001mm	<b>340-351-30</b>	0.96	with 6 anvils & 5 standards
6-12" / 152.4 - 304.8mm	.0001" / 0.001mm	<b>340-352-30</b>	1.88	with 6 anvils & 6 standards
12-18" / 304.8 - 457.2mm	.0001" / 0.001mm	<b>340-720</b>	4.75	with 6 anvils & 6 standards
18-24" / 457.2 - 609.6mm	.0001" / 0.001mm	<b>340-721</b>	6.62	with 6 anvils & 6 standards
24-30" / 609.6 - 762.0mm	.0001" / 0.001mm	<b>340-722</b>	10.06	with 6 anvils & 6 standards
30-36" / 762.0 - 914.4mm	.0001" / 0.001mm	<b>340-723</b>	11.98	with 6 anvils & 6 standards

**Inch**

Range	Graduation	Order No.	Mass(kg)	Remarks
0-2"	.0001"	<b>104-165*</b>	0.32	with 1" anvil & 1 standard
0-6"	.001"	<b>104-137</b>	1.35	with 6 anvils & 5 standards
6-12"	.001"	<b>104-138</b>	2.65	with 6 anvils & 6 standards
12-16"	.001"	<b>104-152</b>	3.31	with 4 anvils & 4 standards
12-18"	.001"	<b>104-201</b>	4.69	with 6 anvils & 6 standards
16-20"	.001"	<b>104-153</b>	4.81	with 4 anvils & 4 standards
18-24"	.001"	<b>104-202</b>	6.51	with 6 anvils & 6 standards
20-24"	.001"	<b>104-154</b>	6.35	with 4 anvils & 4 standards
24-28"	.001"	<b>104-155</b>	7.72	with 4 anvils & 4 standards
24-30"	.001"	<b>104-203</b>	9.95	with 6 anvils & 6 standards
28-32"	.001"	<b>104-156</b>	9.08	with 4 anvils & 4 standards
30-36"	.001"	<b>104-204</b>	11.87	with 6 anvils & 6 standards
32-36"	.001"	<b>104-157</b>	10.41	with 4 anvils & 4 standards
36-40"	.001"	<b>104-158</b>	11.78	with 4 anvils & 4 standards
36-42"	.001"	<b>104-205</b>	13.68	with 6 anvils & 6 standards

\*.0001" reading is obtained with vernier.



# Outside Micrometers

**SERIES 340, 104 — with Interchangeable Anvils, Metric Model**



## FEATURES

- IP65 water/dust protection (Series 340\*).  
\*Models with a range up to 300mm.
- Wide measuring range with interchangeable anvils.
- With a ratchet stop for constant force.
- Supplied with zero-setting standards bar for each range.
- With SPC output (Series 340).
- Supplied in fitted wooden case.

### Digital model



## SPECIFICATIONS

**Metric** Digital model

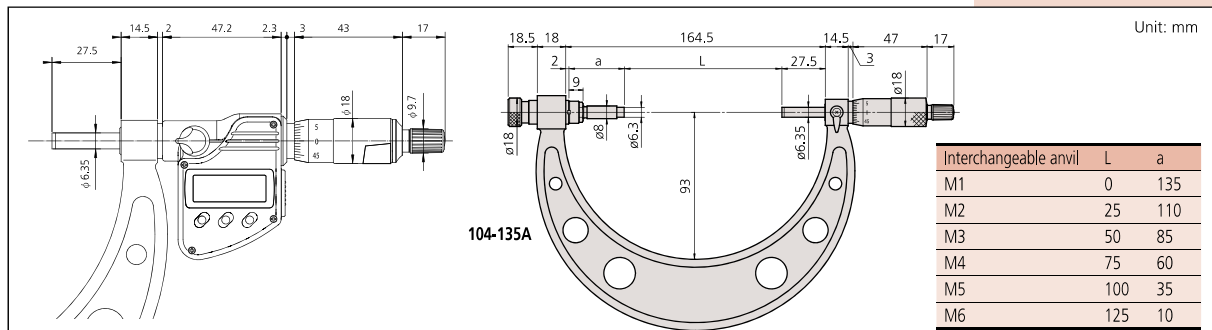
Range	Resolution	Order No.	Mass (kg)	Remarks
0 - 150mm	0.001mm	<b>340-251-30</b>	0.96	with 6 anvils & 5 standards
150 - 300mm	0.001mm	<b>340-252-30</b>	1.88	with 6 anvils & 6 standards
300 - 400mm	0.001mm	<b>340-520</b>	3.31	with 4 anvils & 4 standards
400 - 500mm	0.001mm	<b>340-521</b>	4.81	with 4 anvils & 4 standards
500 - 600mm	0.001mm	<b>340-522</b>	6.35	with 4 anvils & 4 standards
600 - 700mm	0.001mm	<b>340-523</b>	7.72	with 4 anvils & 4 standards
700 - 800mm	0.001mm	<b>340-524</b>	9.08	with 4 anvils & 4 standards
800 - 900mm	0.001mm	<b>340-525</b>	10.41	with 4 anvils & 4 standards
900 - 1000mm	0.001mm	<b>340-526</b>	11.78	with 4 anvils & 4 standards

**Metric**

Range	Graduation	Order No.	Mass (kg)	Remarks
0 - 50mm	0.01mm	<b>104-171*</b>	0.32	with 2 anvils & 1 standard
0 - 100mm	0.01mm	<b>104-139A</b>	0.79	with 4 anvils & 3 standards
0 - 150mm	0.01mm	<b>104-135A</b>	1.35	with 6 anvils & 5 standards
50 - 150mm	0.01mm	<b>104-161A</b>	1.35	with 4 anvils & 4 standards
100 - 200mm	0.01mm	<b>104-140A</b>	1.38	with 4 anvils & 4 standards
150 - 300mm	0.01mm	<b>104-136A</b>	2.65	with 6 anvils & 6 standards
200 - 300mm	0.01mm	<b>104-141A</b>	2.22	with 4 anvils & 4 standards
300 - 400mm	0.01mm	<b>104-142A</b>	3.31	with 4 anvils & 4 standards
400 - 500mm	0.01mm	<b>104-143A</b>	4.81	with 4 anvils & 4 standards
500 - 600mm	0.01mm	<b>104-144A</b>	6.35	with 4 anvils & 4 standards
600 - 700mm	0.01mm	<b>104-145A</b>	7.72	with 4 anvils & 4 standards
700 - 800mm	0.01mm	<b>104-146A</b>	9.08	with 4 anvils & 4 standards
800 - 900mm	0.01mm	<b>104-147A</b>	10.41	with 4 anvils & 4 standards
900 - 1000mm	0.01mm	<b>104-148A</b>	11.78	with 4 anvils & 4 standards

\*The frame is in a heat-insulated cover.

## DIMENSIONS



### Technical Data

Accuracy:  $\pm(4+R/75)\mu\text{m}$ , R=max. range (mm)  
 Resolution\*: 0.001mm  
 Graduation\*: 0.01mm  
 Flatness: 0.6 $\mu\text{m}$  for models up to 300mm  
 1 $\mu\text{m}$  for models over 300mm  
 Parallelism: 2 $\mu\text{m}$  for models up to 75mm  
 3 $\mu\text{m}$  for models up to 150mm  
 (2+R/100) $\mu\text{m}$  for models over 150mm, R=max. range (mm)  
 Measuring faces: Carbide tipped (spindle only)  
 Display\*: LCD  
 Battery\*: SR44 (1 pc.), **938882**  
 Battery life\*: Approx. 2.4 years (1.8 years for models over 300mm) years under normal use  
 Dust/Water protection level\*: IP65 (up to 300mm)  
 \*Digital models \*\*Analog models

### Function of Digital Model

Zero / ABS, Data hold, Preset, Data output, inch/mm conversion (on inch/metric models only)  
 Function Lock, 2 Presets  
 Alarm: Low voltage, Counting value composition error

### Optional Accessories for Digital Model

**05CZA662**: SPC cable with data switch (40" / 1m)  
**05CZA663**: SPC cable with data switch (80" / 2m)  
**959149**: SPC cable Straight type (40"/1m)\*  
**959150**: SPC cable Straight type (80"/2m)\*  
**04AZB512**: SPC cable L-type (40"/1m)\*  
**04AZB513**: SPC cable L-type (80"/2m)\*  
 \* models over 300mm